

ACO Drain®

KlassikDrain K300/KS300

12" Internal Width General Purpose System

DrainLok & QuickLok® Grate Locking Options

Integral Galvanized or Stainless Steel Edge Rail

Wide Choice of Grates

Interconnecting End Profiles

System Numbering

Adjacent Channel Numbering

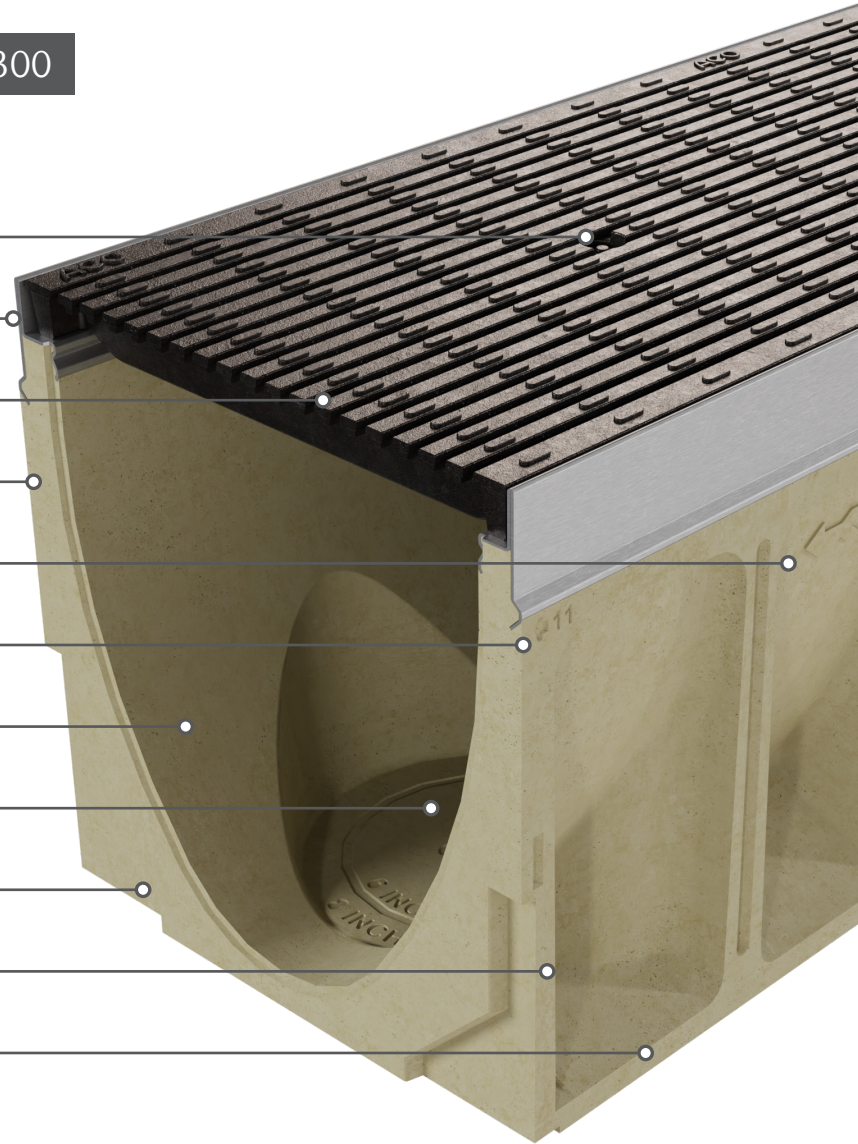
Polymer Concrete Channel

Knockouts for Pipe Connections

Profiled Side Walls

Installation Devices Available

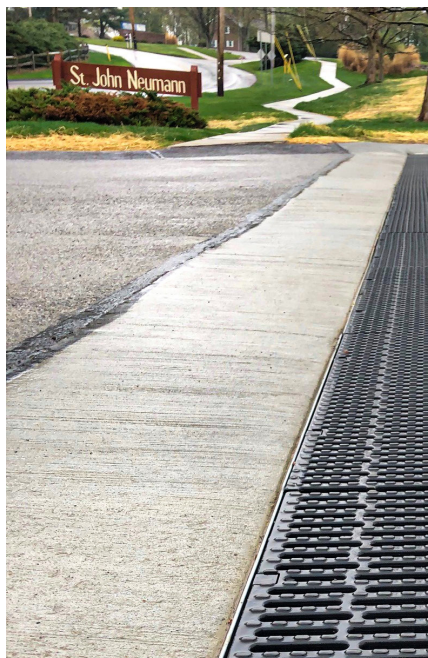
Sloped (0.5%) Channel Units



K300 is a 12" wide sloping system with a galvanized steel edge rail and a broad choice of grates in different materials and slot styles up to Load Class E (60 ton) featuring either patented DrainLok or QuickLok® boltless locking systems.

KS300 is the same system, but the edge rail is grade 304 stainless steel and should be used where increased aesthetics or increased corrosion resistance is required.

For heavy duty applications, see ACO PowerDrain® product line.



TYPICAL APPLICATIONS

- Parking lots & garages
- Shopping malls
- Pedestrian areas
- Light industrial areas
- Commercial areas
- Internal applications



Loading class is grate-dependent.

ACO Drain®

KlassikDrain K300/KS300

12" Internal Width General Purpose System

DRAINLOK - BOLTLESS & BARLESS LOCKING SYSTEM



Factory-fitted locking device removes need for bolts and bars and improves channel hydraulic capacity. The DrainLok mechanism clips into channel edge rail for rapid installation. DrainLok grates are fit with an anti-shunt mechanism that restricts unwanted grate movement when installed, improving durability and longevity of the system.

QUICKLOK® - BOLTLESS LOCKING SYSTEM



QuickLok® is a patented, boltless locking system offering quick fitting and removal of grates. Use of QuickLok grates reduces installation and maintenance time and cost. Grates are supplied with a QuickLok locking stud which push-fits into a stainless steel spring clip in the QuickLok locking bar.

LONGITUDINAL STEEL
LOAD CLASS A

MESHED STEEL
LOAD CLASS C

SLOTTED IRON
LOAD CLASS C

LONGITUDINAL IRON
LOAD CLASS C

WAVE IRON
LOAD CLASS C

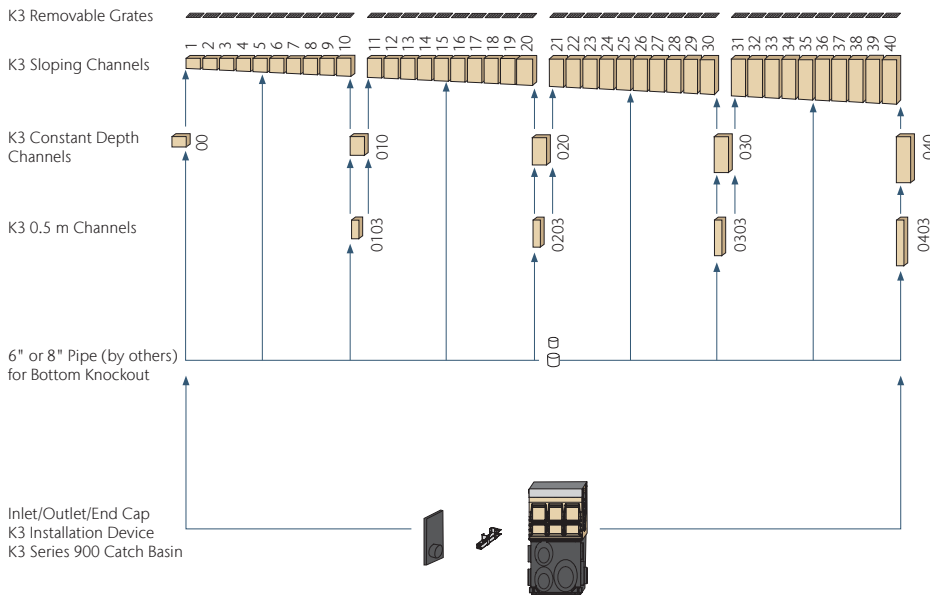
PERFORATED STEEL
LOAD CLASS C

LONGITUDINAL IRON
LOAD CLASS E

SLOTTED IRON
LOAD CLASS E



System Layout



ACO, Inc.

West Sales Office
825 W. Beechcraft St.
Casa Grande, AZ 85122
Tel: (520) 421-9988
Toll-Free: (888) 490-9552
Fax: (520) 421-9899

Northeast Sales Office
9470 Pinecone Dr.
Mentor, OH 44060
Tel: (440) 639-7230
Toll-Free: (800) 543-4764
Fax: (440) 639-7235

Southeast Sales Office
481 Munn Rd.
Suite 225
Fort Mill, SC 29715
Toll-Free: (800) 543-4764
Fax: (803) 802-1063

info@acousa.com
acoswm.com

For further technical info, design tools, and online chat support, visit askaco.us

© March 2023 ACO, Inc.

All reasonable care has been taken in compiling the information in this document. All recommendations and suggestions on the use of ACO products are made without guarantee since the conditions of use are beyond the control of the company. It is the customer's responsibility to ensure that each product is fit for its intended purpose and that the actual conditions of use are suitable. ACO, Inc. reserves the right to change products and specifications without notice. Print #DR404

ACO. we care for water

